

**FRONT ELEVATION
STANDARD HEIGHT
TOWER A**

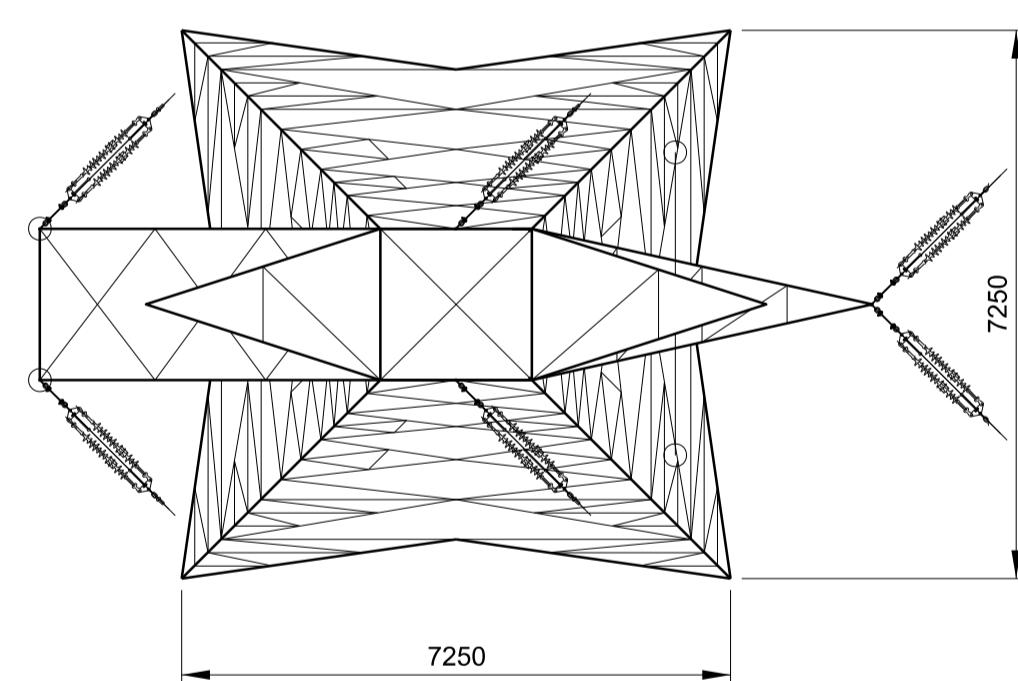
**FRONT ELEVATION
-1m LEG
TOWER B**

**FRONT ELEVATION
+1m LEG
TOWER C**

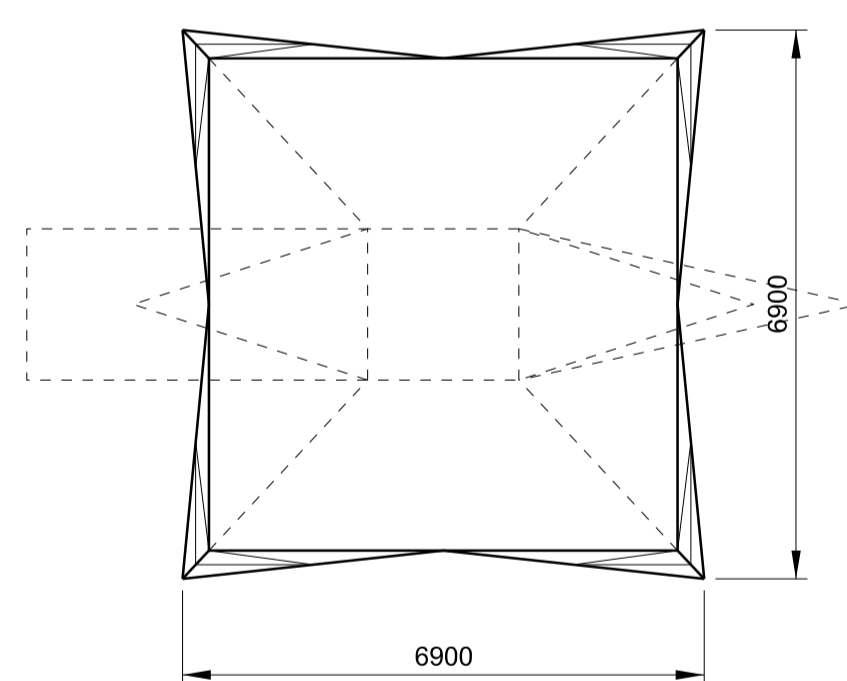
**FRONT ELEVATION
+2m LEG
TOWER D**

**FRONT ELEVATION
+3m LEG
TOWER E**

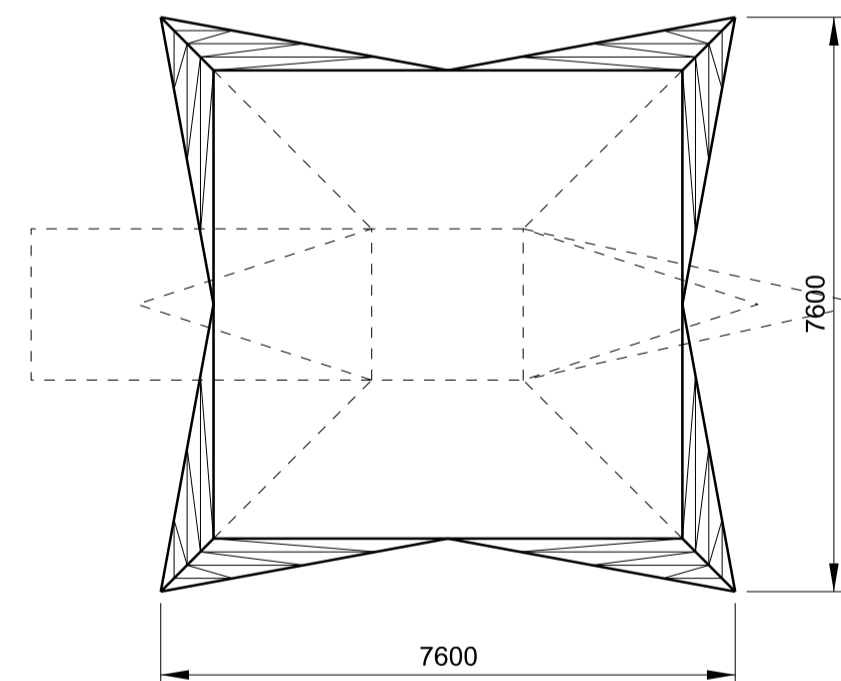
**SIDE ELEVATION
STANDARD HEIGHT**



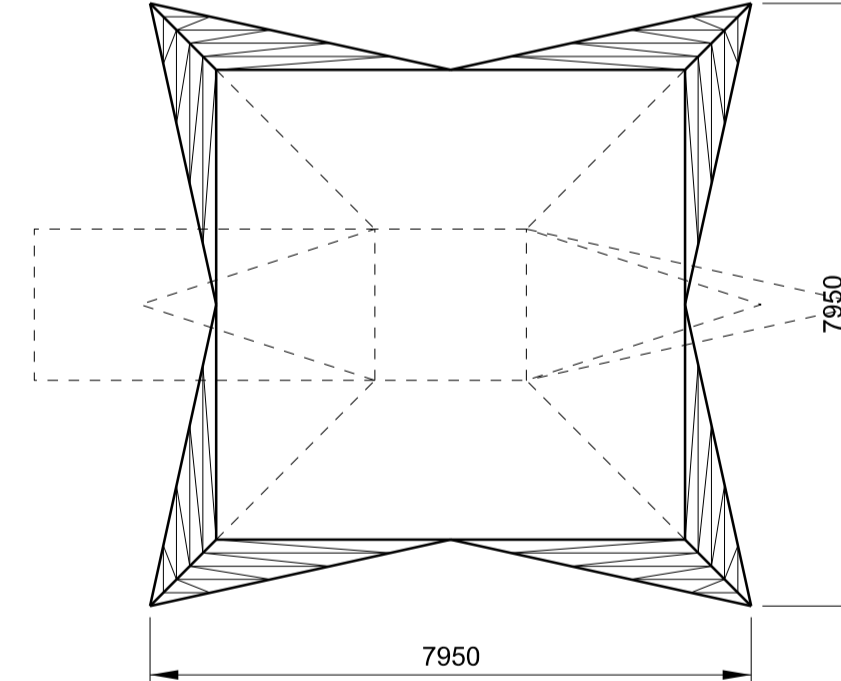
**PLAN VIEW
STANDARD HEIGHT**



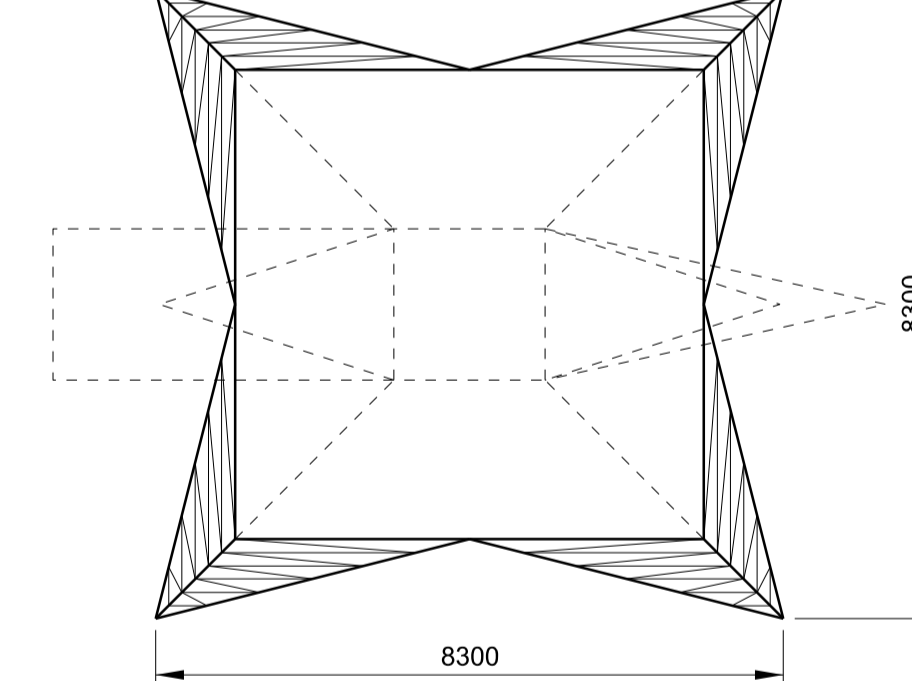
**PLAN VIEW
-1m LEG**



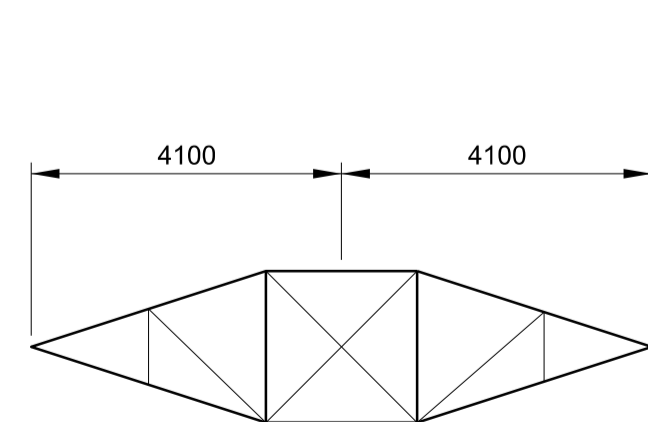
**PLAN VIEW
+1m LEG**



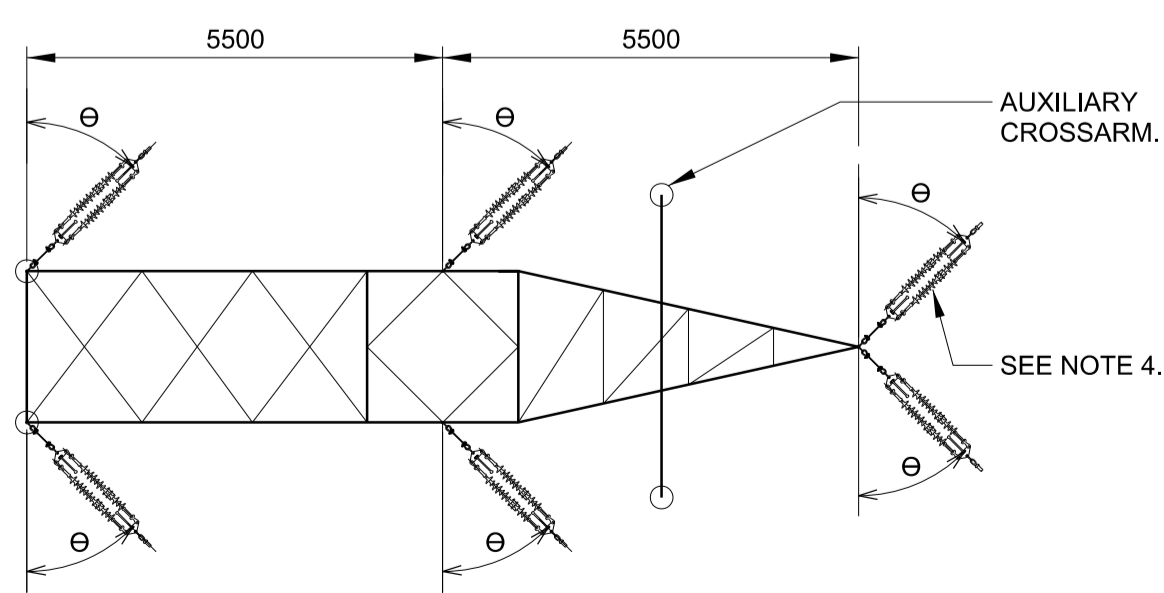
**PLAN VIEW
+2m LEG**



**PLAN VIEW
+3m LEG**



PLAN VIEW A - A



PLAN VIEW B - B

NOTES:

- STANDARD TOWER HEIGHT MAY BE VARIED USING LEG EXTENSIONS AS INDICATED.
- COMBINATIONS OF DIFFERENT LEG EXTENSIONS MAY BE USED ON THE SAME TOWER TO CATER FOR SLOPING GROUND.
- PLAN A-A & B-B ARE COMMON TO ALL TOWER HEIGHTS.
- INTERNAL BRACING MAY CHANGE DEPENDING ON TOWER SUPPLIER.
- ORIENTATION OF INSULATOR θ IN PLAN WILL VARY FROM 0° - 45° FOR EACH TOWER LOCATION.
- ALL DIMENSIONS IN MILLIMETRES UNLESS STATED OTHERWISE.
- ACTUAL DIMENSIONS MAY BE LESS THAN SHOWN ON DRAWING, DEPENDING ON TOWER SUPPLIER.

REV.	DATE	REVISION DESCRIPTION	DRN	PROD.	VER	APP
PURPOSE OF ISSUE - PRELIMINARY UNLESS INDICATED						
CLIENT APPROVAL	<input type="checkbox"/>	PLANNING	<input checked="" type="checkbox"/>	TENDER	<input type="checkbox"/>	CONSTRUCTION
						AS-BUILT
Client: ESB Wind Development Ltd & Bord na Móna Powergen Ltd						
Project: TIMAHOE NORTH SOLAR DEVELOPMENT						
Contract:						
Drawing Title: Timahoe North Loop into Derryiron - Maynooth 110 kV Line - Outline Drawing for Planning Single Circuit Strain Towers For All Changes in Line Direction up to 90° T15 - Max Height 24.5m						
Production Unit: Networks Engineering						
One Dublin Airport Central, Dublin Airport, Cloghran, Co. Dublin Tel: 353 1 703 8000 Email: marketing@esbi.ie Web: www.esbinternational.ie ESB International is a trading name of ESB Engineering & Facility Management Ltd Registered Office: as above Registered in Ireland No. 155249						
DRAWN: S.Dunne	PRODUCED: J.Gill	VERIFIED: D.Tuohy	APPROVED: P.Ennis	APPROVAL DATE: 08/08/2018		
CLIENT REF: TC220132	No. OF SHEETS: -	SHEET: A1	SCALE: As Shown			
DRAWING NUMBER: PE604-D064-004-001-000						